

CS Small Cartridge Filters



Superior Clarity at Half the Size...

Jandy's CS Filter line utilizes single element cartridges designed to provide the same great filtration as the Jandy Large Tank Filter series in a compact body. Like other Jandy cartridge filters, the cartridge element on the CS is easily removed making it simple to clean. The CS filter is only 375mm, the perfect choice for small equipment areas. Designed for Jandy's Versa Plumb™ system, the CS easily connects with the rest of your Jandy equipment while using minimal space on the equipment pad. The CS filter features easy grip ergonomic handles and an extra large drain port in a small, compact thermoplastic body.

Clean, Clear Water Everyday at a Great Value!

VERSA PLUMB™



The CS Filter is designed to easily connect with other Jandy equipment via Jandy's exclusive Versa Plumb™ system.

ERGONOMIC LID HANDLES



The Jandy CS Filters feature comfortable, easy grip handles that make removing the lid simple.

EXTRA LARGE 5.1CM DRAIN



The extra large drain port on the CS filter allows for easy cleaning of debris. Universal unions on the filter will fit most Jandy products.

COMPACT BODY DESIGN

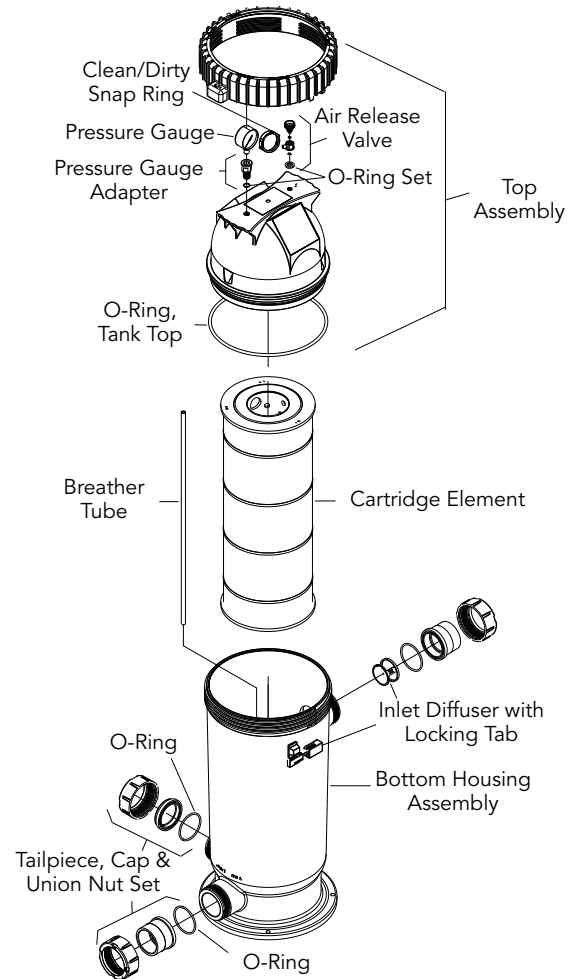


The compact body of the CS filter is designed to fit in small areas without difficulty. The base will easily anchor to the equipment pad.

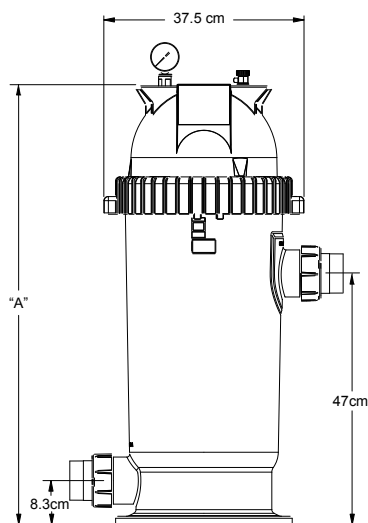


CS Filters - Compact, Versatile, Durable

Jandy's line of CS Filters are available in three sizes; 100, 150, and 250 square foot models. The CS Filter is constructed of high impact, corrosion and UV resistant thermoplastic that can weather even the harshest operating conditions. The single element cartridge is made of the finest Remay™ material for superior filtration. The lid features ergonomic handles making removal easy and comfortable. The Jandy CS single element cartridge filter is designed to provide ultra clear filtration in a compact, easy to maintain body.



CS DIMENSIONS



Specifications for Jandy CS Filters

MODEL NUMBER	CS100	CS150	CS250
Filter Area (m2)	9.3	13.9	23.2
Max. Flow (lpm)	379	473	473
Six Hour Capacity (litres)	136,800	171,000	171,000
Eight Hour Capacity (litres)	182,400	228,000	228,000
Normal Start Up Pressure (psi)	6-15	6-15	6-15
Max. Working Pressure (psi)	50	50	50
Height ("A")	82.2cm	82.2cm	108cm