



ZODIAC

P U M P S

50 Series

A great all round pump designed for mid sized pools, requiring a high head of pressure and good performance.



1 P R O D U C T S H E E T



FEATURES

- The high head and powerful performance ensures great turnover of water as well as handling extras such as fountains etc.
- A secondary seal between the motor and the 'wet end' reduces the risk of motor corrosion.
- Designed for simple operation and easy maintenance.
- The impeller and diffuser ensures maximum output with minimum turbulence.
- Easy to remove hair and lint pot with clear lid.
- Durable robust design with a 2 year warranty in residential pools.

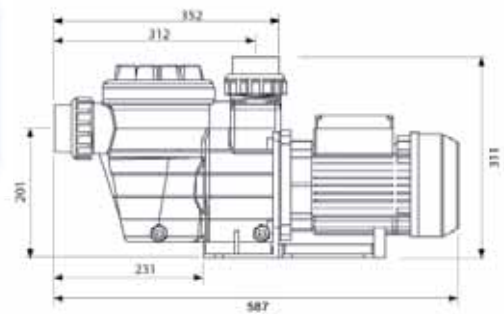
MOTOR SPECIFICATIONS

- IP55 Rating
- Motor shaft 303 grade stainless steel
- Fan Cooled
- Thermal Overload
- Insect and Vermin resistant
- Secondary seal for extra motor protection

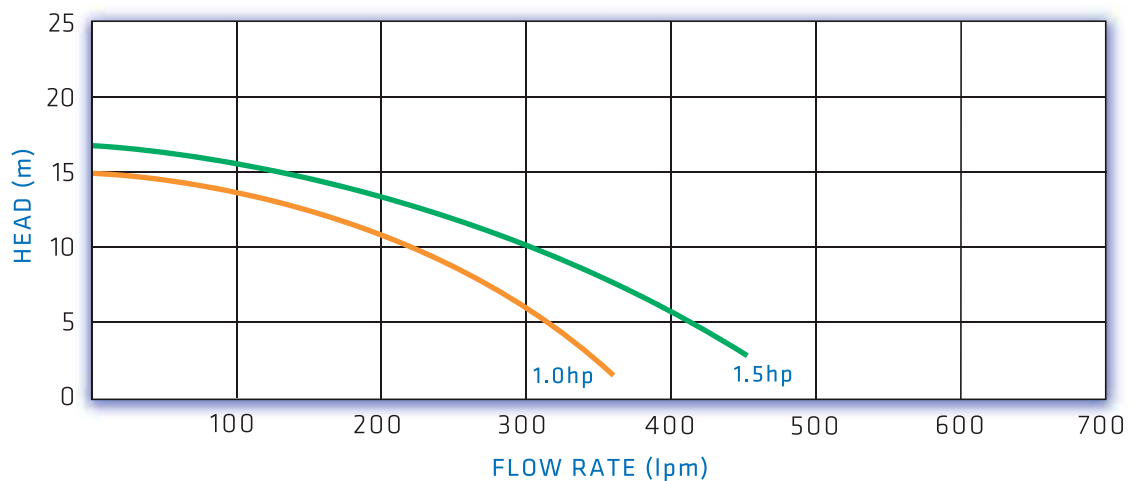
MODELS AVAILABLE

Horsepower	Kw Rating	Amps	Total Length	dB@1m
1.0hp	0.84	3.7A	587mm	68
1.5hp	1.15	5.3A	608mm	68

PUMP SCHEMATIC



PUMP PERFORMANCE CURVES



ZODIAC, MASTERING THE ELEMENTS

Renowned worldwide for the quality and reliability of its products in the aeronautical and marine sectors, Zodiac has now brought its expertise to swimming pools, to bring you a full range of pools, automatic pool cleaners, water treatment systems, heating systems and dehumidification units for swimming pools.

Backed by Zodiac technology, expertise and experience, Zodiac brings you the reassurance of top quality equipment in terms of both design and performance. A real guarantee of efficiency and peace of mind!



Zodiac Group Australia PTY LTD
 ABN: 87002641965
 Phone: 1800 688 552
 Fax: 02 9896 5766
www.zodiac.com.au