



# ZODIAC

P U M P S

## 40C Series

A great range of compact and efficient pumps designed for smaller inground or above ground pools, water features and ponds.



1 P R O D U C T S H E E T



- Durable robust design with a 2 year warranty in residential pools.
- **It with clear lid.**

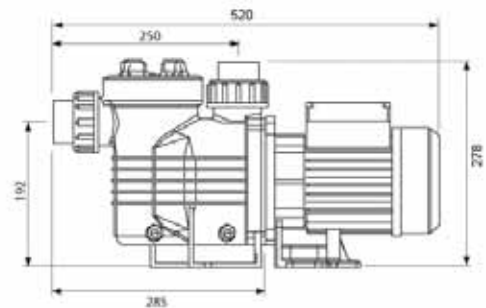
### MOTOR SPECIFICATIONS

- IP44 Rating
- Motor shaft 303 grade stainless steel
- Fan Cooled
- Thermal Overload
- Insect and Vermin resistant
- Secondary seal for extra motor protection

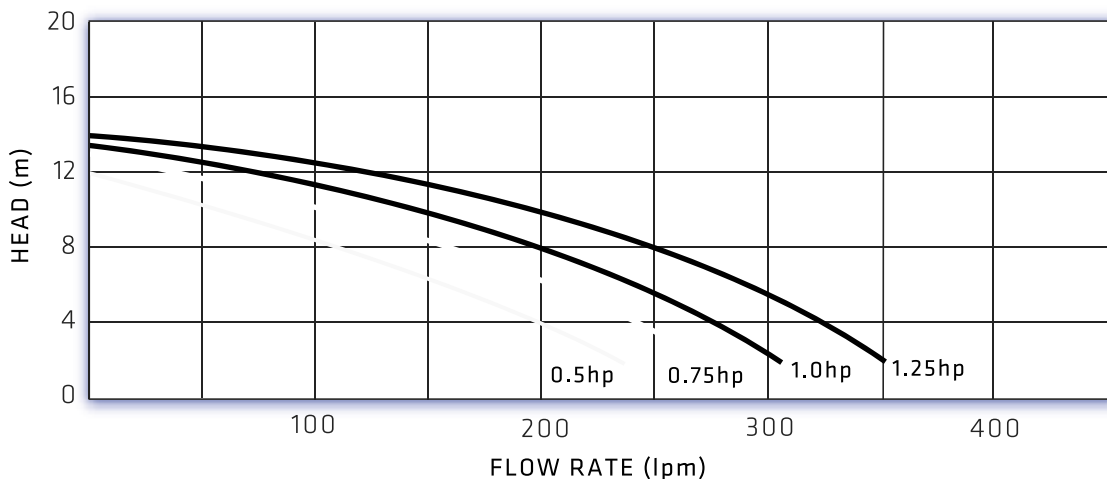
### MODELS AVAILABLE

Horsepower	Kw Rating	Amps	Total Length	dB@1m
0.5hp	0.58	2.5A	497mm	68
0.75hp	0.65	3.0A	497mm	68
1.0hp	0.76	3.33A	497mm	69
1.25hp	0.88	3.9A	497mm	71

### PUMP SCHEMATIC



### PUMP PERFORMANCE CURVES



### ZODIAC, MASTERING THE ELEMENTS

Renowned worldwide for the quality and reliability of its products in the aeronautical and marine sectors, Zodiac has now brought its expertise to swimming pools, to bring you a full range of pools, automatic pool cleaners, water treatment systems, heating systems and dehumidification units for swimming pools.

Backed by Zodiac technology, expertise and experience, Zodiac brings you the reassurance of top quality equipment in terms of both design and performance. A real guarantee of efficiency and peace of mind!



**Zodiac Group Australia PTY LTD**  
 ABN: 87002641965  
 Phone: 1800 688 552  
 Fax: 02 9896 5766  
[www.zodiac.com.au](http://www.zodiac.com.au)