



ZODIAC



ABN 87 002 641 965

PO Box 7238

Wetherill Park, NSW 2164 Australia

Ph: 1800 688 552

Fax: 1300 781 688

www.zodiac.com.au

© 2004 Zodiac Group Australia Pty Ltd

W90068



ZODIAC

*Racer*TM

Instruction Manual



POWERED BY
BARACUDA[®]
WHISPER QUIET
DIAPHRAGM TECHNOLOGY

Zodiac, Mastering the Elements

Renowned worldwide for the quality and reliability of its products in the aeronautical and marine sectors, Zodiac has now brought its expertise to swimming pools, to bring you a full range of pools, automatic pool cleaners and water treatment systems.

Backed by Baracuda technology, expertise and experience, Zodiac brings you the reassurance of top quality equipment in terms of both design and performance.

A real guarantee of efficiency and peace of mind!

WARRANTY INFORMATION

ZODIAC PACER™ TWO-YEAR Warranty

This ZODIAC Pacer™ was carefully inspected before shipment from our warehouse. Upon unpacking, if any part is missing or found to be defective, please notify your dealer immediately. Please consult owner's manual for complete instructions on the installation and operation of your ZODIAC Pacer™.

ZODIAC GROUP AUSTRALIA WARRANTS THE ZODIAC PACER™ POOL CLEANER AGAINST ALL WEAR AND TO BE FREE FROM DEFECTS IN MATERIALS AND WORKMANSHIP FOR A PERIOD OF TWO (2) YEARS FROM DATE OF PURCHASE. THE ZODIAC HOSE IS WARRANTED FOR TWO (2) YEARS AGAINST MANUFACTURING DEFECTS AND ULTRAVIOLET BREAKDOWN.

THIS LIMITED WARRANTY EXCLUDES THE FOLLOWING:

1. Discoloration of the Zodiac pool cleaner caused by reaction to chemicals used in the pool water. Discoloration does not affect the operating ability of the pool cleaner. Therefore, this limited warranty does not cover the replacement of discolored parts.
2. Damage to or malfunction of the unit resulting from excess chlorination or improper water chemistry balance.
3. Replacement of parts which fail or become defective as a result of improper installation, negligence, misuse, abuse or tampering by unauthorised repair personnel.
4. Age, pool water imbalance, and improper installation can cause pool liners to become brittle or unduly wrinkled. Corrosion of the supporting walls and/or irregularities in the pool base may also cause liner failure. The use of this product in such an environment is at the pool owner's risk. Therefore, the pool owner hereby releases the manufacturer from any and all claims for damage where these conditions exist.
5. Abrasion to the hose or damage caused by misuse or improper installation.

No claim under this limited warranty will be recognised unless the attached registration card is completed and returned within fourteen (14) days of the day of purchase. Only the original purchaser may submit a claim under this limited warranty. Purchaser's claims against Zodiac Group Australia Pty. Ltd. shall be limited to those claims which may be asserted under the limited warranty relating to any defect, malfunction or wear of the ZODIAC Pacer™.

To obtain warranty replacement or repair, the unit should be returned to the place of purchase. When submitting a claim, always supply serial number, evidence of purchase date, retailer and a brief description of the problems/defects encountered. Zodiac Group Australia Pty. Ltd. reserves the right to repair or replace all defective or worn parts covered by this warranty, through the place of purchase. Where the purchaser sends units to the place or purchase by post or courier for repair or replacement, freight is the responsibility of the purchaser.

Zodiac Group Australia Pty. Ltd. assumes no responsibility for any warranties or representations made by other individuals or businesses beyond the express terms contained in this limited warranty.

This warranty gives you specific legal rights, and you may also have other rights which vary from state to state. This warranty will remain the property of Zodiac Group Australia Pty. Ltd.

INDEX

	PAGE
SECTION 1 – PREPARING YOUR POOL FILTRATION SYSTEM.....	3
SECTION 2 – INSTALLATION	6
SECTION 3 – CARE & MAINTENANCE	9
SECTION 4 – REMOVAL & REFITTING OF DIAPHRAGM.....	10
SECTION 5 – POOL PULSE	12
SECTION 6 – TROUBLESHOOTING GUIDE	13
SECTION 7 – LET US HELP	14
SECTION 8 – PARTS IDENTIFICATION	15
WARRANTY INFORMATION	16

Dear Customer,

Thank you for buying a ZODIAC Pacer™. It is thanks to you that we have achieved our position as market leader.

No automatic pool cleaner equals your new ZODIAC Pacer™ for performance, efficiency and reliability.

- Your ZODIAC Pacer™ has no moving parts to jam, wear or come adrift. No nuts, bolts, screws, gears or wheels to corrode.
- Its innovative diaphragm system sucks up dirt, debris, bugs, leaves and even pebbles.
- The Adjustable Inner Body (AIB), increases efficiency and makes diaphragm maintenance quick and easy.
- Your ZODIAC Pacer™ will quickly and quietly clean an average pool wall-to-wall, top-to-bottom (excluding steps and swimouts).
- In the event of requiring repairs, please take your ZODIAC Pacer™ to your closest pool shop.
- REMEMBER TO REGISTER YOUR WARRANTY WITHIN FOURTEEN (14) DAYS FROM DATE OF PURCHASE.

IT'S EASY TO INSTALL. JUST READ THE INSTRUCTIONS IN THE MANUAL CAREFULLY.

THE CONTENTS OF YOUR ZODIAC PACER™ BOX ARE AS FOLLOWS:

- One complete ZODIAC Pacer™ unit
- 1 x AD Flow Valve
- 1 x Hose Protector Mesh
- 12 x Genuine ZODIAC Long Life Hose Sections
- 1 x Leader Hose Adaptor
- 1 x Warranty Card
- 1 x Instruction Manual
- 1 x Hose Weight
- 1 x Hose/Wheel Adaptor
- 1 x Deflector Wheel

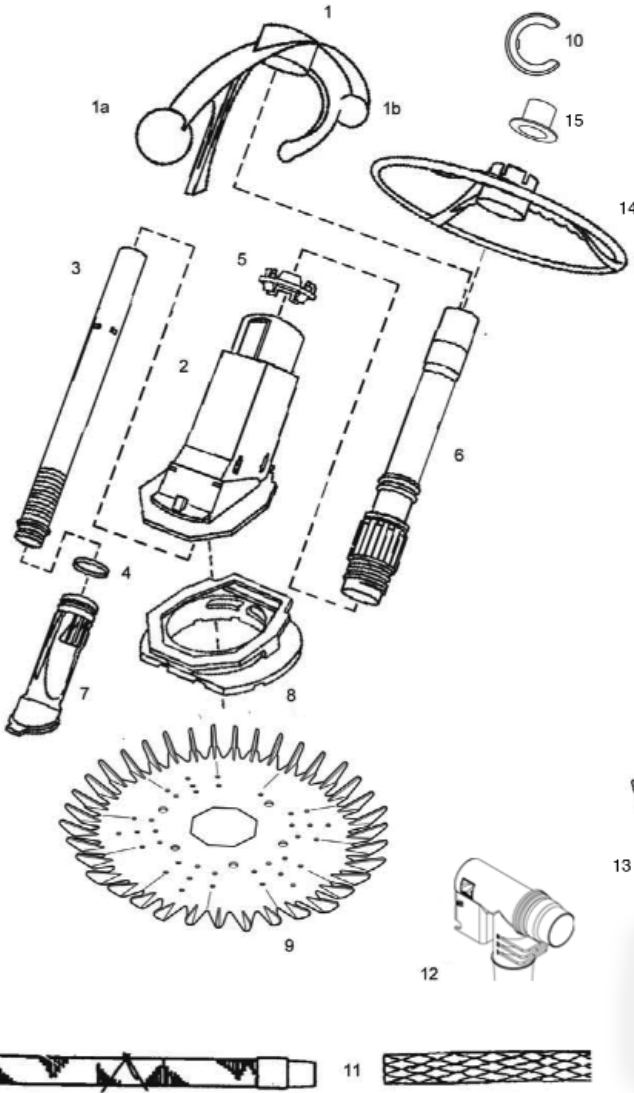
This pool cleaner is covered by one or more of the following patents: 576806, 583358, 589683, 613227, 675066

BARACUDA® is a Registered Trade Mark

Specifications and equipment are subject to change without prior notice.

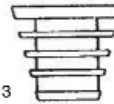
SECTION 8 – PARTS IDENTIFICATION

EXPLODED DIAGRAM – PACER™



DESCRIPTION

1. Outer Casing Pacer
- 1a. Float Ball - 50mm
- 1b. Weight
2. Inner Body Complete
3. Inner Extension Pipe
4. Diaphragm Retaining Ring
5. Compression Ring
6. Outer Extension Pipe
7. Standard Diaphragm
8. Flexi Foot
9. Disc 36 Fin
10. Hose Weight
11. Hose Protector Mesh
12. AD Flow Valve Complete
13. Universal Weir Cuff
14. Medium Wheel Deflector
15. Leader Hose Adaptor
16. Single Length Hose
17. Pool Pulse



13



12



17

STOP: If listed parts are missing, please contact your pool builder/retailer immediately.

SECTION I – PREPARING YOUR POOL FILTRATION SYSTEM

PREPARE POOL AND FILTRATION SYSTEM

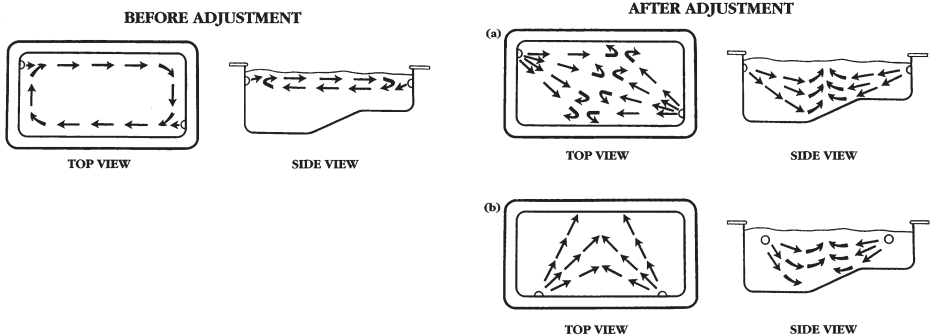
Step 1: Turn off the main drain, where main drain control is connected.

Step 2: Manually vacuum your pool.

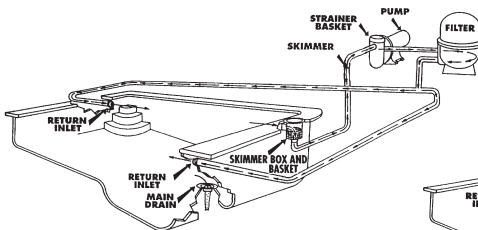
Step 3: Backwash and/or clean the filter and empty the skimmer basket(s) and the pump strainer basket according to the manufacturer's instructions.

Note: The circulation system must be operating at its maximum water flow when you install the Zodiac Pacer™ otherwise readjustment will be necessary when you clean the filter and baskets.

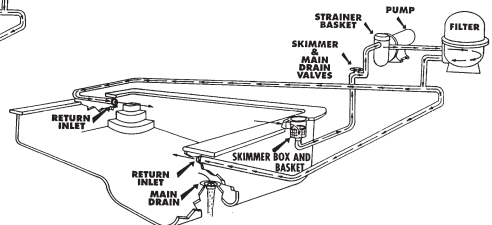
Step 4: Adjust the water flow from all return inlets (a) downward and toward each other or (b) downward and toward the centre of the pool.



GENERAL POOL SCHEMATIC



All diagrams are provided for reference and for terminology used throughout this manual. Your pool may vary.

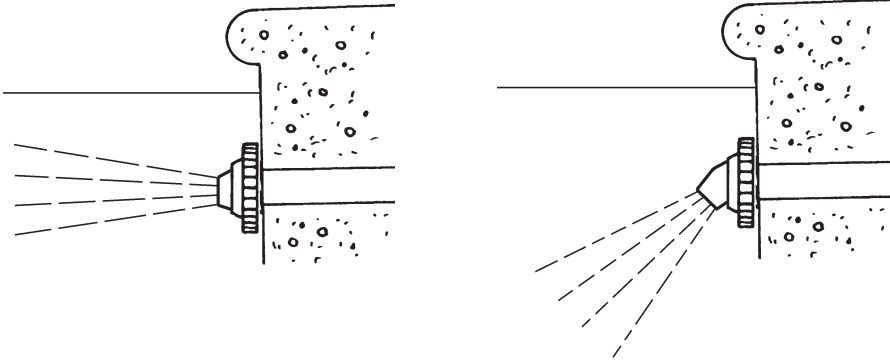


SECTION I – PREPARING YOUR POOL FILTRATION SYSTEM

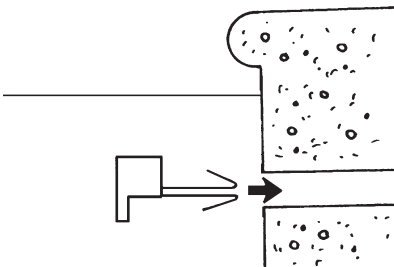
NOTE: If no return inlet directional fittings exist, or directionals cannot be directed far enough down to prevent water flow from affecting the natural movement of the Zodiac genuine hose, you must install Zodiac return line diverters. They are available through your Zodiac dealer.

NOTE: FOR POOLS WITH RETURN INLET EYEBALLS, TURN EYEBALL DOWN.

For pools with return inlet directional fittings:



For pools with no return inlet directional fittings:



Use Zodiac optional universal return line diverter. Pinch wires together and insert fully into return inlet.

MECHANICAL

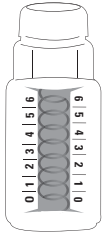
(MACHINE STOPS OR MOVES SLUGGISHLY)

1. Turn the filter system off and check all the connections of the Zodiac Pacer™ to the skimmer.
2. Remove the Zodiac Pacer™ head from the hose, turn it upside down and inspect for debris blocking the diaphragm.
3. Backwash or clean the filter and clean pump and skimmer baskets of all debris. Turn the filter system on and check that there is good flow. NOTE: In cold water 15°C or less, water flow through the Zodiac Pacer™ must be increased to compensate for the reduced flexibility of the hose and diaphragm.
4. If the Zodiac Pacer™ still does not move, lift the hose out of the water, 1 metre at a time, while filtration system is running. A crack in the hose can be detected by a hissing noise. Replace hose.
5. If the above steps do not resolve the problem, the pool filtration system is probably not supplying the water flow necessary to propel the Zodiac Pacer™.
6. Have a qualified pool service person inspect your pump impeller, pump motor, filter tank and elements or plumbing for blockage or leaks.

SECTION 5 – POOL PULSE

POOL PULSE®:

The Pool Pulse® is a flow meter that measures the volume of water flowing through your Zodiac cleaner. It must be used to properly set the flow and can be used as a diagnostic tool when the cleaner isn't running properly.



IDEAL

Showing Setting 2

TOO HIGH

Showing Setting 3

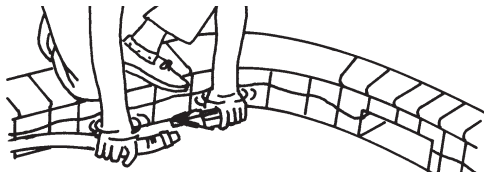
TOO LOW

Showing Setting 1

HOW TO USE POOL PULSE®:

Pool Pulse can only be used if the filtration system is on.

- 1) Attach the Pool Pulse® to the first hose length (ie: the one attached to the pink adaptor) and keep it under water as shown.



- 2) Ensure the Pool Pulse® is in the ideal range when viewed from the side
- 3) Keeping the hose under water, remove the Pool Pulse®
- 4) Submerge the cleaner head, and when the bubbles stop coming from the extension pipe, attach the hose.


If the flow is in the low range, review the installation procedures. A dirty pool filter or clogged basket is usually the main cause of low flow. Other types of hydraulic problems may require a pool professional. If your pool has multiple skimmers and flow is in the low range, close the skimmer the cleaner is not attached to.


If the flow is in the high range, review the installation procedures. Lower AD Flow Valve setting to #1.

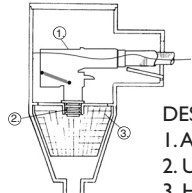
SECTION I – PREPARING YOUR POOL FILTRATION SYSTEM

AD FLOW VALVE

The use of the Zodiac AD Flow Valve is recommended on pools with only one skimmer box/suction point, or when the filtration system needs to be used but the pool cleaner does not, such as when people are swimming in the pool. It regulates the flow of water to the pump through the pool cleaner. As the filter collects debris, the valve automatically maintains the correct flow to the cleaner. For installation of the AD Flow Valve see below:

AD Flow Valve — 

AD Flow Valve —  Connector



DESCRIPTION

1. AD Flow Valve
2. Universal Weir Cuff
3. Hose Protector Mesh

STEP 1: Screw the AD Flow Valve Connector into the Vacuum Plate or use Weir Cuff.

STEP 2: Insert the AD Flow Valve into the AD Flow Valve Connector.

STEP 3: Connect the AD Flow Valve into the hose.

For connection of the AD Flow Connector into a non standard skimmer plate see below:
 Waterco Skimmer Box = Screw in the AD Flow Valve connector from the top of the skimmer plate.
 Poolrite Skimmer Box = Screw in the AD Flow Valve connector from the bottom of the skimmer plate.

Pool Rite Skimmer Plate

Waterco Skimmer Plate



If you do not have a Waterco or Poolrite Skimmer Plate then insert the AD Flow Valve into the Weir Cuff.

The AD Flow Valve comes preset at a factory setting of 2 to obtain maximum pool cleaning efficiency. If your water flow requires a higher or lower setting, you can adjust the valve to one of three settings: High (Setting 3), Medium (Setting 2) or Low (Setting 1).

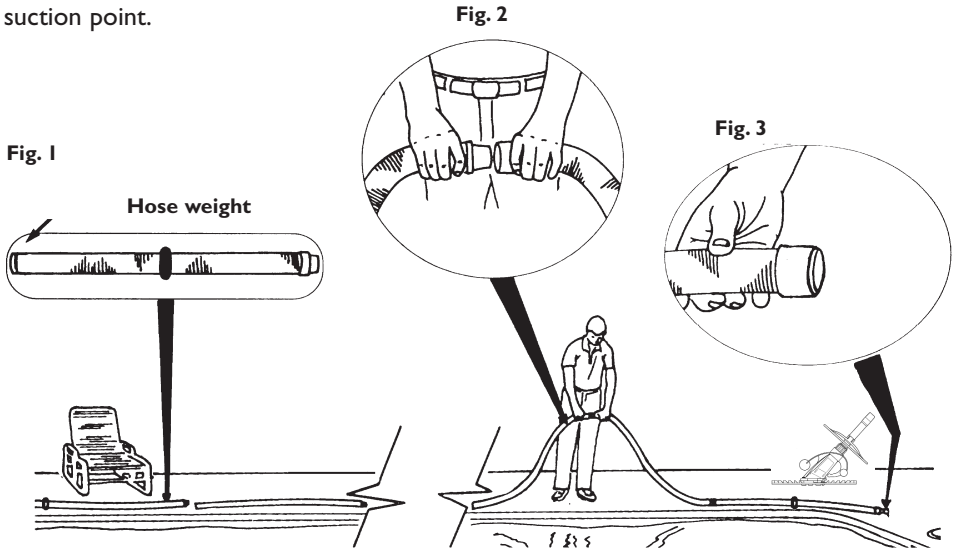
You will only need to adjust the AD Flow Valve when the following occurs:

PROBLEM	SOLUTION
The Zodiac Pool Cleaner is performing too fast and/or climbing above the level of the water.	Reduce AD Flow Valve to Setting 1
The Zodiac Pool Cleaner is performing slowly and/or is not climbing the pool walls.	Increase AD Flow Valve to Setting 3

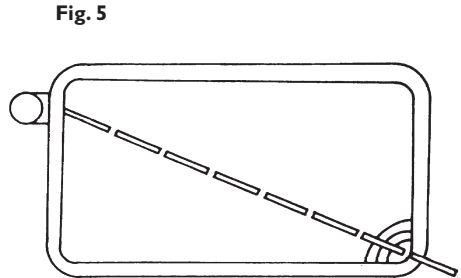
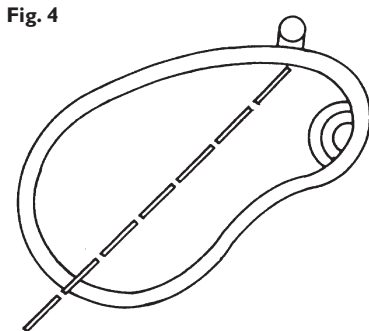
POOLS WITH ONE SKIMMER

Step 5: Select the hose with the pink insert (leader hose fig.3). Fit the hose weight at the end of this hose length (about 1 metre from the Machine head) which will be attached to the Zodiac Pacer™. Assemble the hose to the correct length (Fig. 4/5). Now fit the hose protector mesh to the skimmer end of the hose.

NOTE: Attach the leader hose (Fig.3) to the Zodiac Pacer™ head and the other end of the hose to the connection point in your skimmer box or other allocated suction point.



Use enough hose sections to reach the farthest point in the pool, plus one (1) section.



Step 2: Procedure to refit diaphragm.

Make sure grey retaining ring is fitted onto diaphragm. Slide the inner extension pipe with the diaphragm into the suction hole until the diaphragm fits snugly into the groove provided (Diagram 10.a).

Make sure the diaphragm is vertical and that the gap of the throat is not excessive. Tighten hand-nut securely.

Reset diaphragm.

If the gap of the throat is excessive (more than 5mm), yet the diaphragm is not torn or damaged, push down lightly on the inner extension pipe so as to close the gap slightly and hold in place before tightening the hand-nut (Diagram 10.b). Replace deflector wheel (Diagram 10.c).

Re-install pool cleaner and switch on pump.

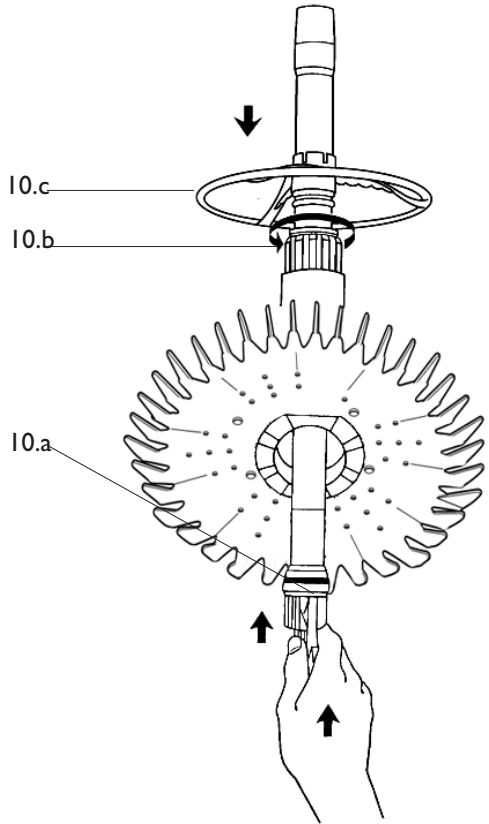


Diagram 10

NOTE:

The procedure of removing and refitting the diaphragm could, in itself, rectify a performance problem, eg. working erratically, as it resets the diaphragm to its correct length.

ADJUSTABLE INNER BODY (A.I.B.)

The technologically advanced AIB incorporated into your new Zodiac Pacer™ makes it quick and simple for you to:

- **remove** debris from the throat of the diaphragm and inner extension pipe.
- **reset** the gap of the throat of the diaphragm.
- **replace** the diaphragm.
- **inspect** the outer extension pipe swivel, to ensure that it is turning freely.

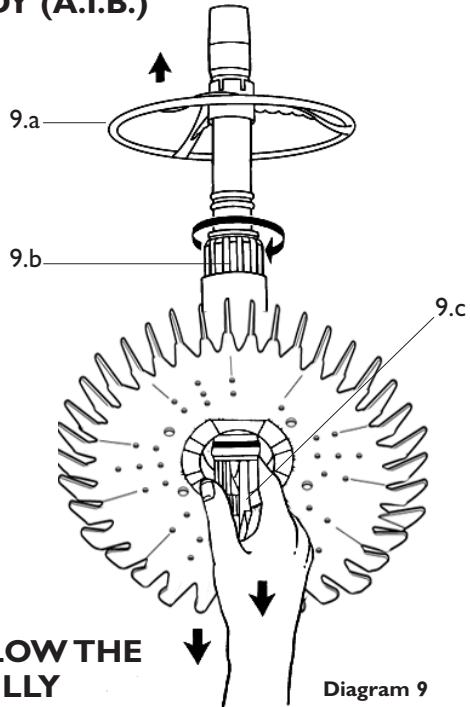


Diagram 9

PLEASE READ AND FOLLOW THE INSTRUCTIONS CAREFULLY

Step 1: Procedure to remove diaphragm.

Separate pool cleaner from hose.

Remove deflector wheel (Diagram 9.a).

Loosen hand-nut one and a half turns anti-clockwise (Diagram 9.b).

Grasp diaphragm lip at edge of suction hole and pull. The inner extension pipe and diaphragm will be released in one piece. (Diagram 9.c).

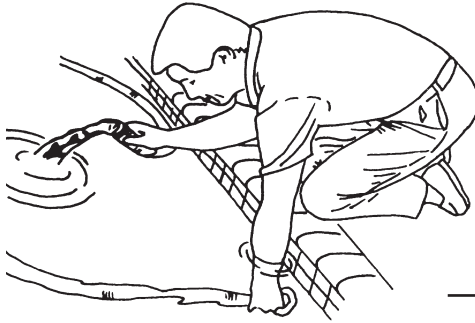
Pull diaphragm off the inner extension pipe. If there is a blockage, carefully remove it. Do not use any sharp objects as this may damage the diaphragm.

Inspect diaphragm closely for perforations or cracks.

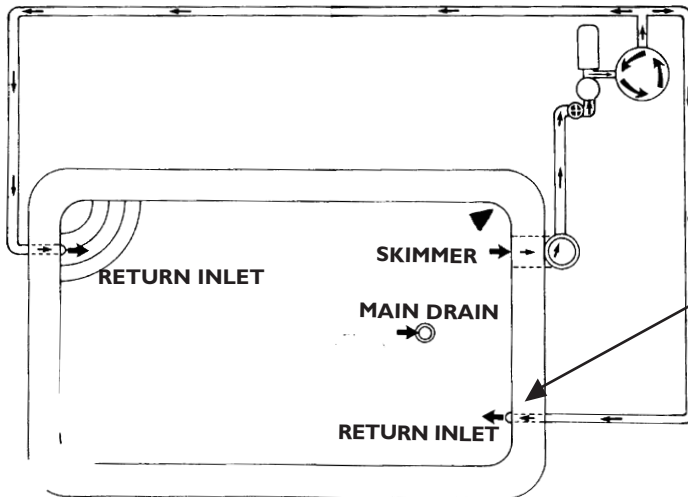
Even small holes will compromise its operation. If the diaphragm is damaged in any way, replace before refitting.

SECTION 2 – INSTALLATION

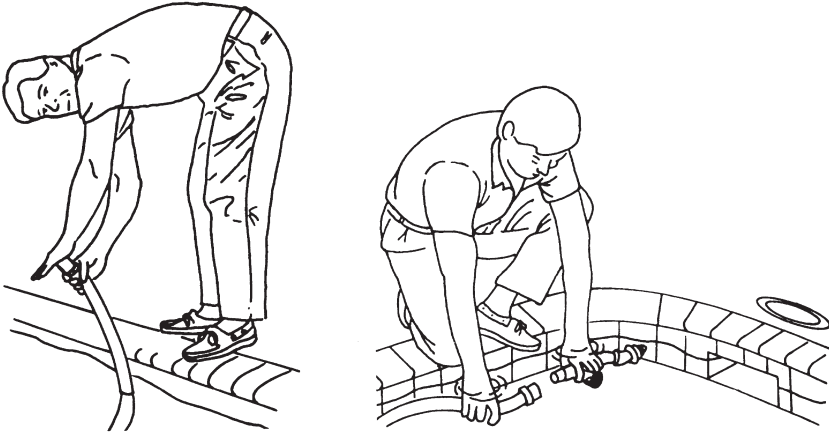
Step 6: Put deflector wheel on outer extension pipe of Zodiac PACER™ and clip into the extension pipes groove.



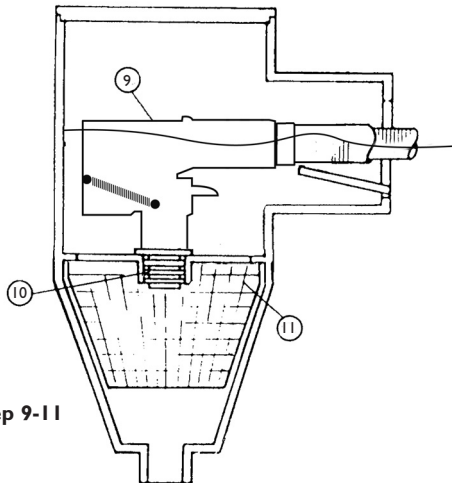
Step 7: Fill the hose with water by placing one end over a return inlet.



SECTION 2 – INSTALLATION



Step 8: With the weighted hose end in the pool, cover the other end (the end with the protector mesh) tightly with your hand. Move to the skimmer and attach this hose end to the AD Flow Valve.



Step 9-11

Step 9: Screw the AD Flow Valve Connector into the Vacuum Plate or use Weir Cuff.

Step 10: Insert the AD Flow Valve into the AD Flow Valve Connector.

Step 11: Connect the AD Flow Valve into the hose.

SECTION 2 – INSTALLATION

Step 12: Submerge the Zodiac Pacer™ head. When the bubbles have stopped flowing from the head, re-connect the head to the cuffed hose end.

CORRECT BALANCING

Proper balancing must be accomplished in the DEEPEST area of the pool. The buoyancy of the hose tends to LIFT the Zodiac Pacer™ especially in deeper water. The hose weight is provided to help neutralise the buoyant effect of the hose.

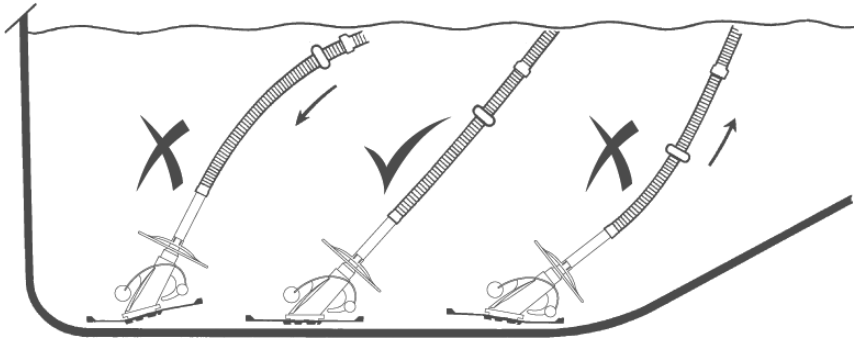


Diagram 7: Positioning of the hose weight

SECTION 3 – CARE & MAINTENANCE

Sunlight (Ultraviolet rays), water and pool chemicals create a harsh environment. To increase the lifespan of the Zodiac Pacer™ and hose, you should:

- 1 Remove the Zodiac Pacer™ from the pool before Super Chlorinating and reinstall it a minimum of four hours later.
- 2 Always disconnect the hose from the skimmer or vacuum line before backwashing your filter.
- 3 Always store the hose straight. Never coil the hose (coiled hose can be straightened with hot water or by laying it straight in the sun for several hours).

